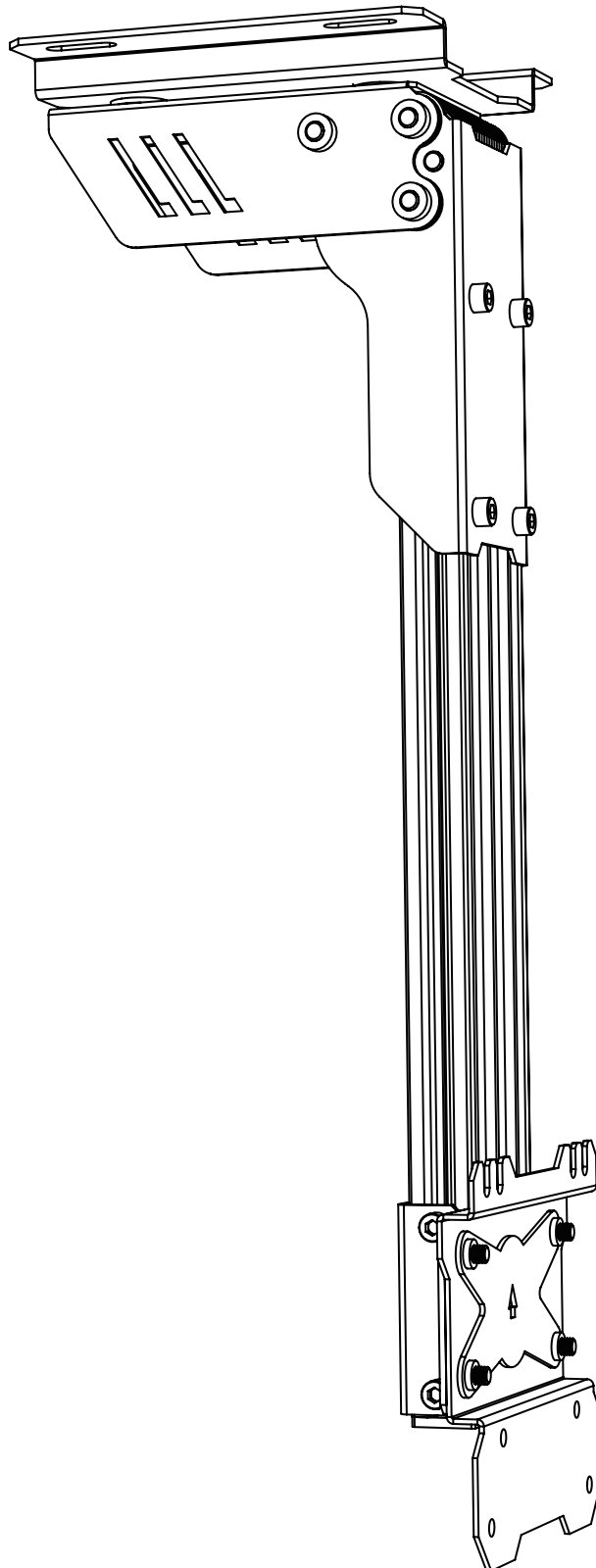




ONKRON
designed to support

CR1S

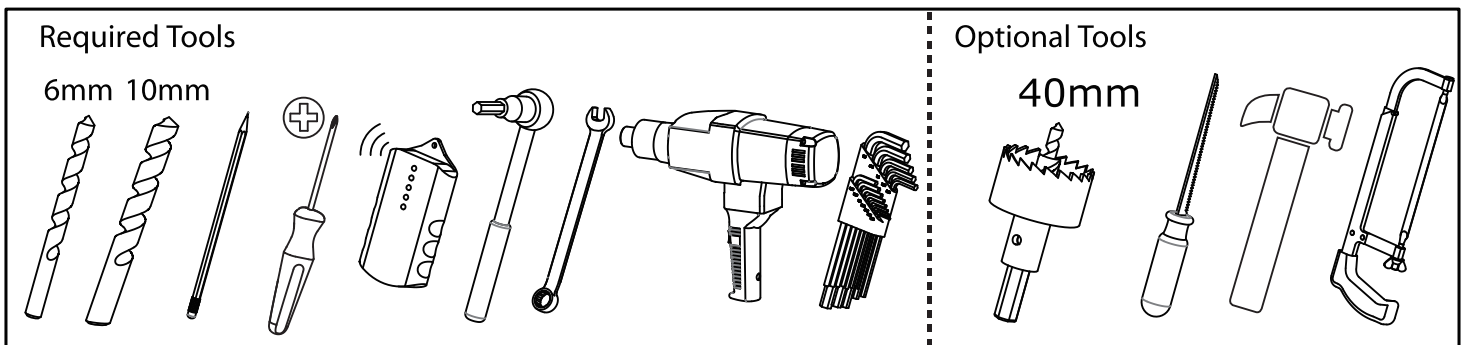


Note: Read entire instruction sheet before you start installation and assembly.

⚠ WARNING

- Be sure to read this entire manual thoroughly and you fully understand all the instructions and warning before attempting to begin your installation.
- This product should only be installed by someone who has a basic knowledge of buiding construction,in stallations and fully understands these instructions.
- Make sure that the supporting surface will safely support the combined load of the mount, the display and all attached hardware and components.
- The maximum load capacity is 67 pounds.
- If mounting to a wall of wood stud construction, be sure that mounting bolts are anchored to the center of the studs.
- Always have someone assist you to lift and position your equipment.
- Tighten screws and bolts firmly, but do not over tighten. Over tightening can damage the items and greatly reduce their ability to hold. Please refer to suggested torque values where applicable in these instructions.

Tools Needed for Assembly



Before you begin, please verify that all components are included and undamaged. If any parts are missing or damaged, contact Product supplier, Never proceed with missing or damaged parts!

Lay out all components and make sure you identify that each one has a match in the diagram. Some of the parts included will not be used during installation. Do not proceed if you do not understand and identify all of the components.

Table of Contents

Parts List	3
Install to Solid Wood Ceiling.....	4
Install to Concrete Ceiling	4、 5
Installation & Adjustment of the screen	6、 7
Product dimensions	8

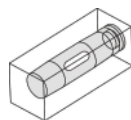
Before you begin, make sure all parts shown are included with your product.
Parts may appear slightly different than illustrated.

Parts List

Description

A	Magnetic Spirit Level	1	15x15x40
B	philips pan head screw	4	M4x12
C	philips pan head screw	4	M4x25
D	philips pan head screw	4	M5x12
E	philips pan head screw	4	M5x25
F	Spacer	4	$\varphi 9.0 \times \varphi 5.0 \times 8$
	Allen wrench	1	M4
	Allen wrench	1	M5
G	washer	4	$\varphi 16 \times \varphi 6.2 \times 1.5$
	Hex bolt screw	4	M6x50
H	Expansion pipe	4	M8x50

A



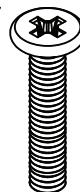
Magnetic Spirit Level(x1)

B



Philips Pan head screw M4x12(x4)

C



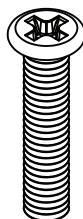
Philips Pan head screw M4x25(x4)

D



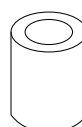
Philips Pan head screw M5x12(x4)

E



Philips Pan head screw M5x25(x4)

F



Spacer $\varphi 9.0 \times \varphi 5.0 \times 8$ (x4)

+



Allen wrench M4/M5(x1)

G



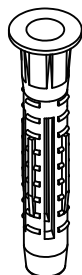
+



washer $\varphi 16 \times \varphi 6.2 \times 1.5$ (x4)

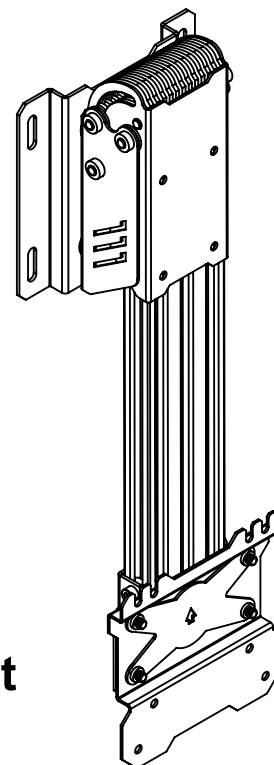
Hex bolt screw M6x50 (x4)

H



Expansion pipe M8x50 (x4)

AA



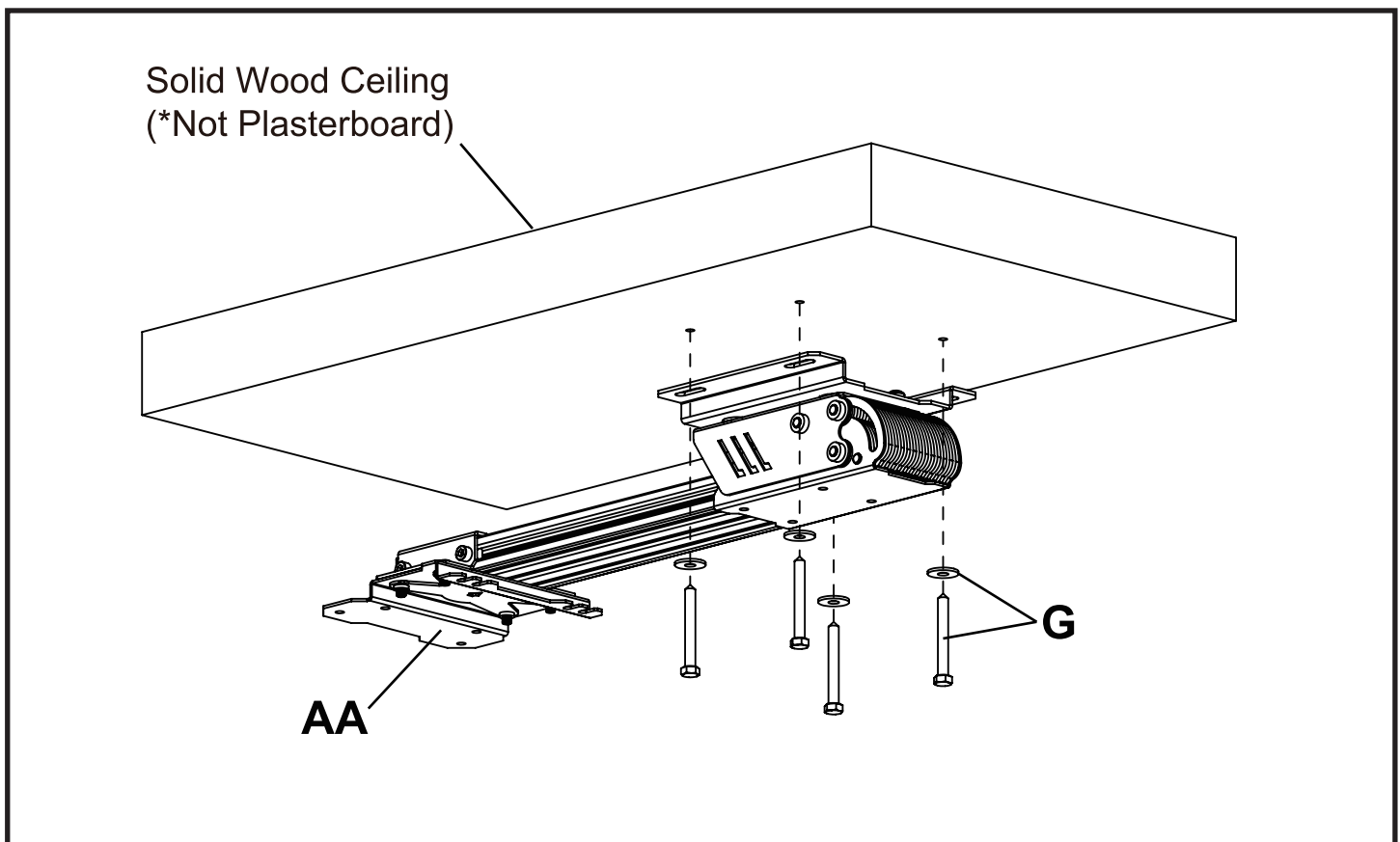
bracket

Install to Solid Wood Ceiling

⚠ WARNING

- Tighten wood screws so that ceiling plate is firmly attached, but do not overtighten. Overtightening can damage the screws, greatly reducing their holding power.
- Make sure that mounting screws are anchored into the center of the joist. The use of an "edge to edge" stud finder is highly recommended.

- A** Drill four 1/5" (5 mm) dia. holes to a minimum depth of 2.0" (50 mm). Attach the bracket (**AA**) with four hex bolt screws M6x50 (**G**) and Washer (**G**) as shown using 2/5" (10mm) socket wrench. Tighten wood screws (**G**) so bracket (**AA**) is firmly attached.



Install to Concrete Ceiling

⚠ WARNING

- When installing the wall mount to cinder block, verify that you have a minimum of 1-3/10" of actual solid concrete thickness in the hole to be used for the concrete anchors. Do not drill into mortar joints! Be sure to mount in a solid part of the block, generally 1" minimum from the side of the block. Cinder block must meet ASTM C-90 specifications. It is recommended that a standard electric drill set on a slow setting is used to drill the hole instead of a hammer drill to avoid breaking out the back of the hole when entering a void or cavity.
- Concrete must have a 2000 psi density minimum. Lighter density concrete may not hold the concrete anchor.
- Make sure that the supporting surface will safely support the combined load of the equipment and all attached hardware and components.

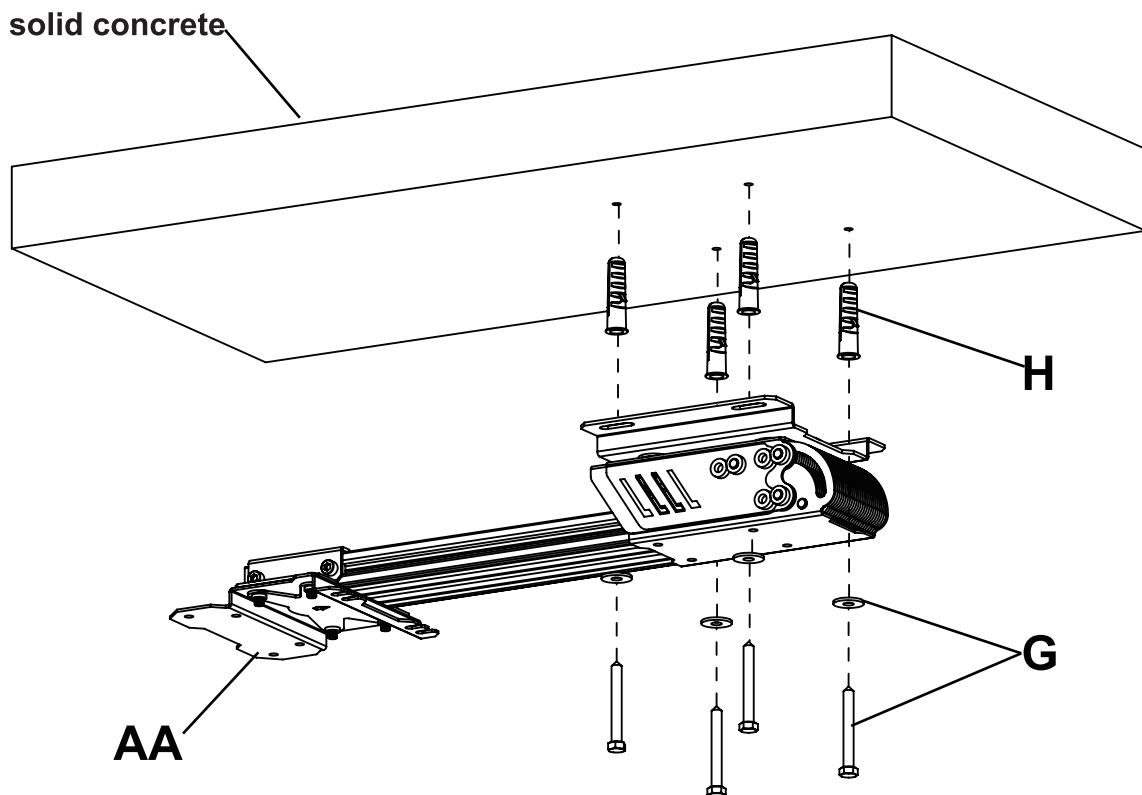
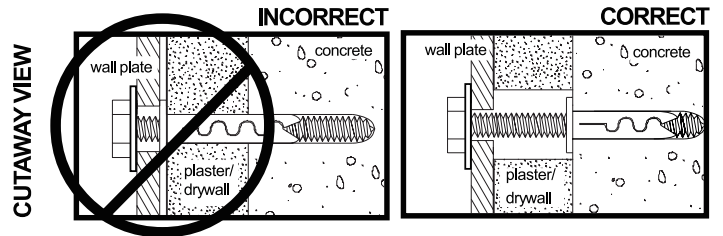
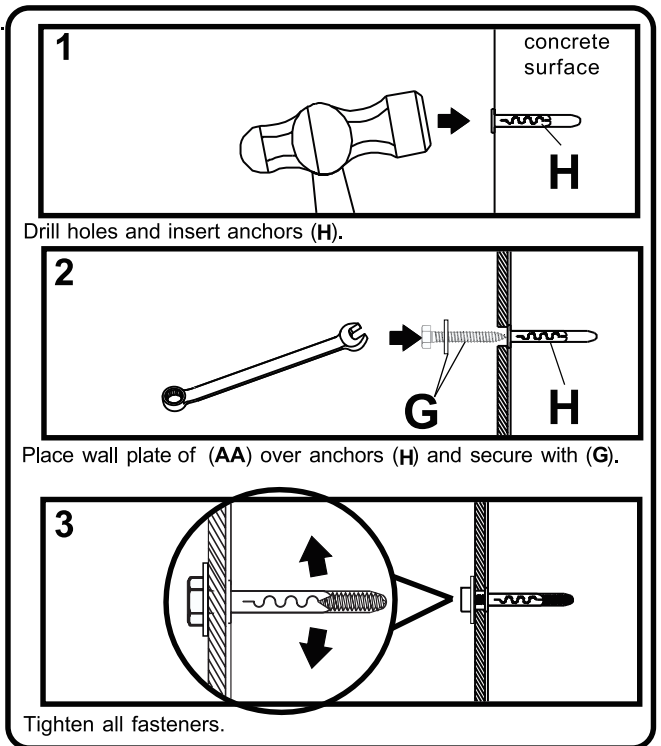
- A** Use wall bracket of (AA) as template to mark mounting holes. Drill four 3/10" (8 mm) dia. holes 2.2" (56 mm) deep. Insert concrete anchor (H) in holes flush with the wall as shown (right). Place wall plate over anchors and secure with M6x 50 screws (G) and Washer (G). Level, then tighten all fasteners.

⚠ WARNING

- Tighten screws so that wall plate is firmly attached, but do not overtighten. Overtightening can damage screws, greatly reducing their holding power.

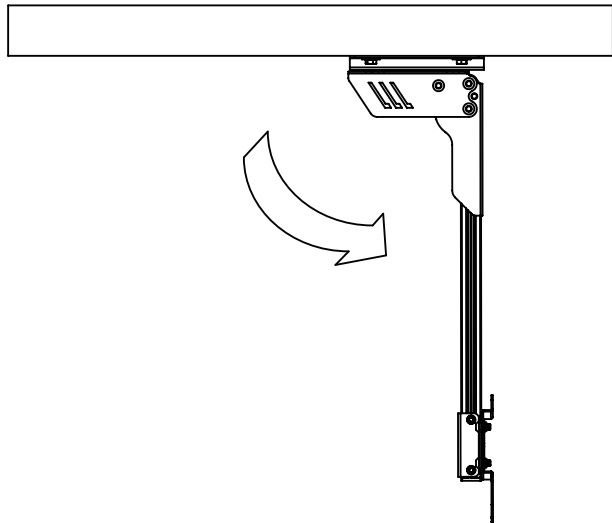
⚠ WARNING

- Always attach concrete anchors directly to load-bearing concrete.
- Never attach concrete anchors to concrete covered with plaster, drywall, or other finishing material. If mounting to concrete surfaces covered with a finishing surface is unavoidable, the finishing surface must be counterbored as shown below. Be sure concrete anchors do not pull away from concrete when tightening screws. If plaster/drywall is thicker than 5/8", custom fasteners must be supplied by the installer.

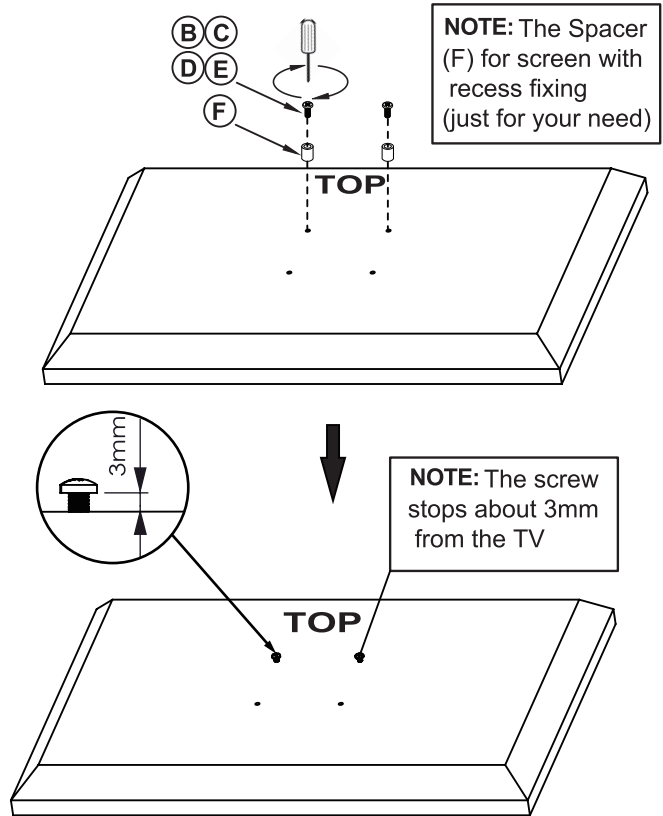


Installation & Adjustment of the screen

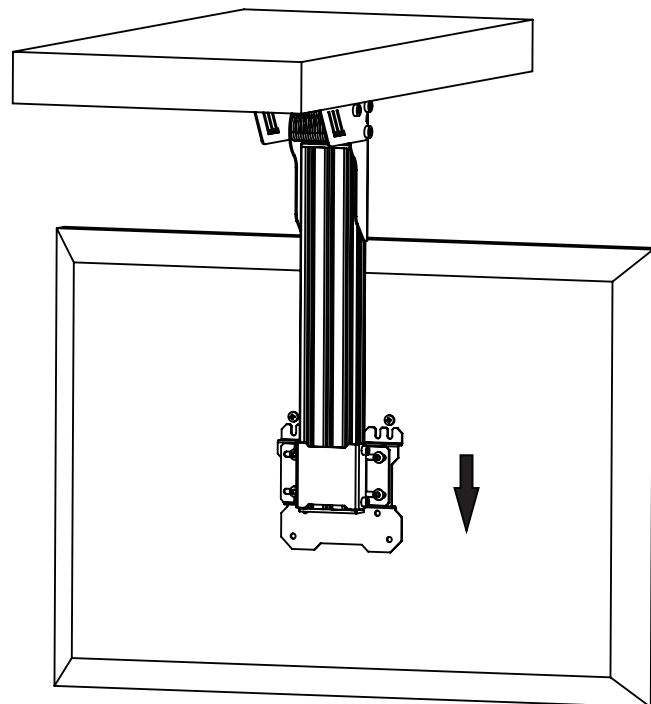
A Start by pulling the arm up to 90 degrees



B Locking two holes in the upper part of the TV with the philips pan head screw.

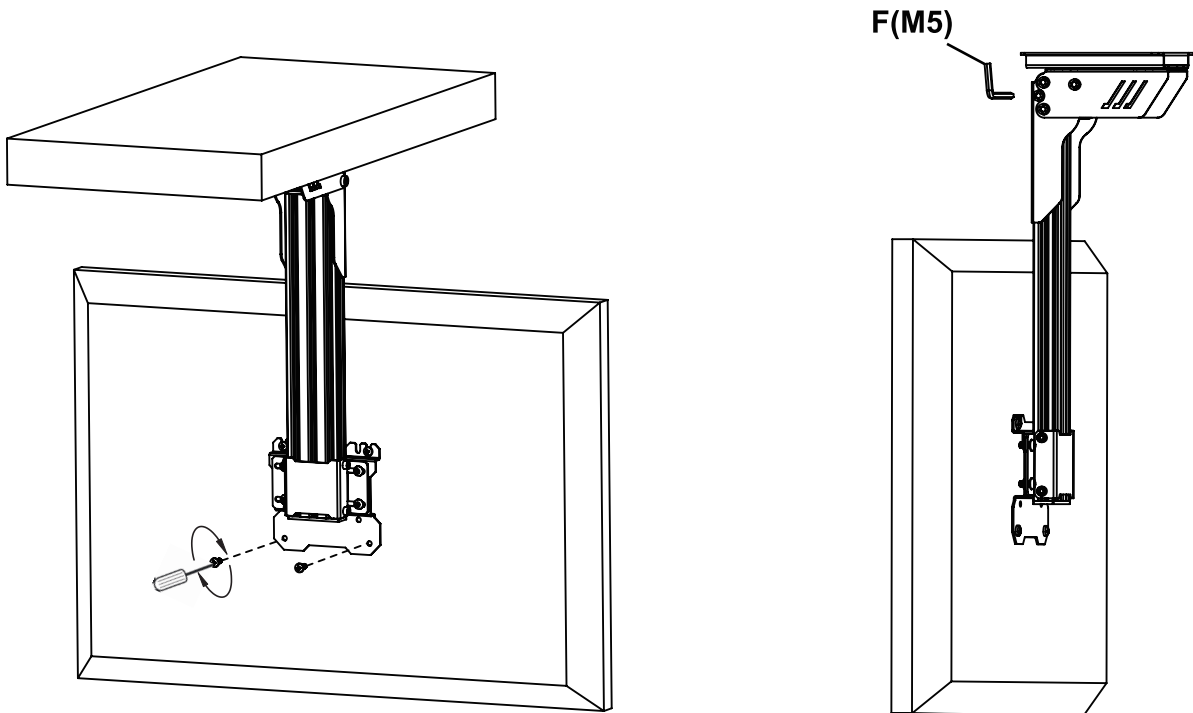


C Sliding the TV into two slots in the bracket.

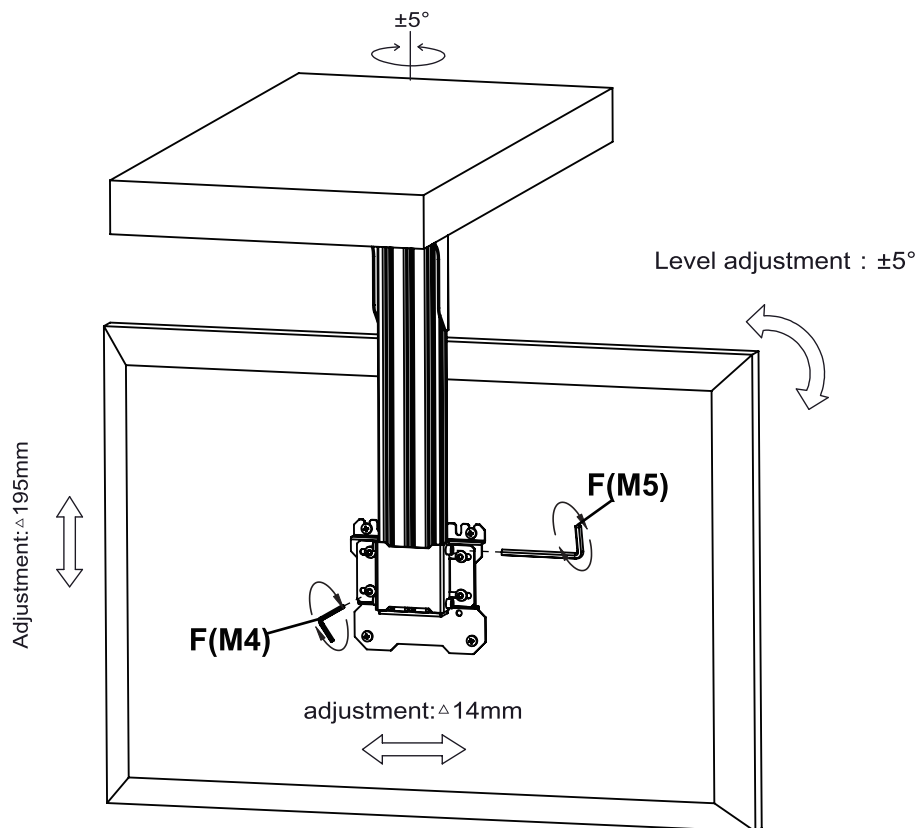


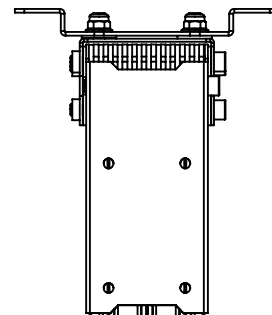
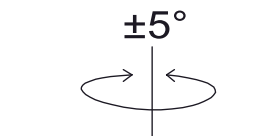
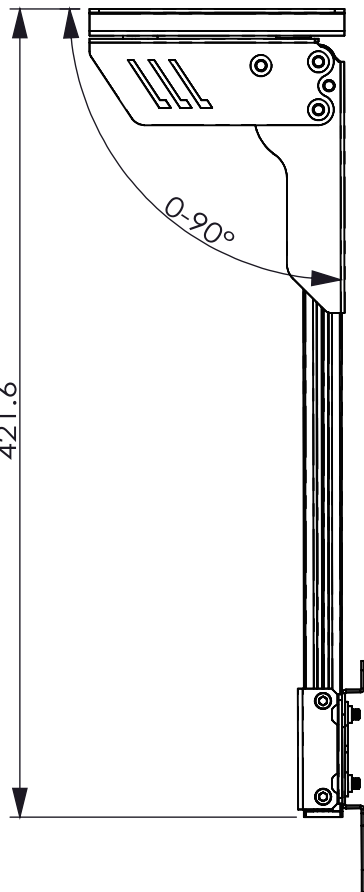
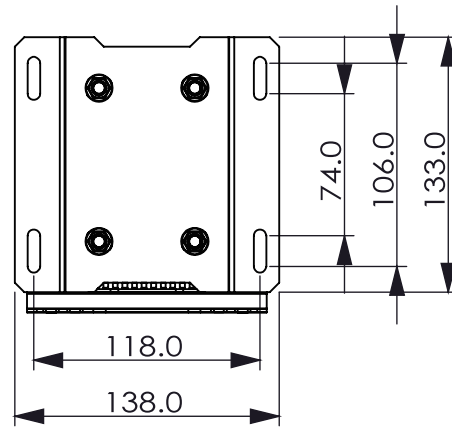
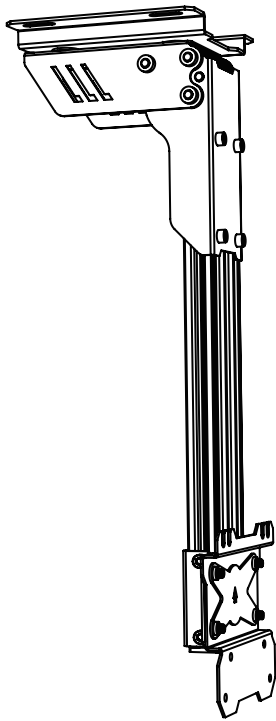
D

Locking the other two screws and tightening them, and adjusting the bite force of the positioning plate to a suitable force with the allen wrench(F).

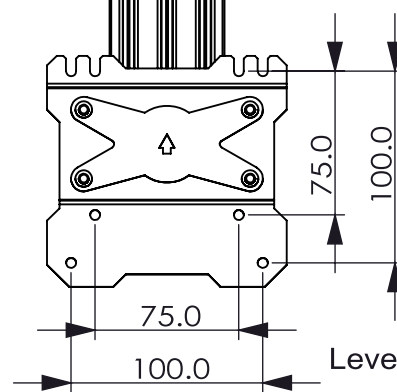
**E**

Adjusting the TV to the desired position and locking it with the allen wrenches(F).





Adjustment: Δ 195mm



Level adjustment : $\pm 5^\circ$



adjustment: Δ 14mm

